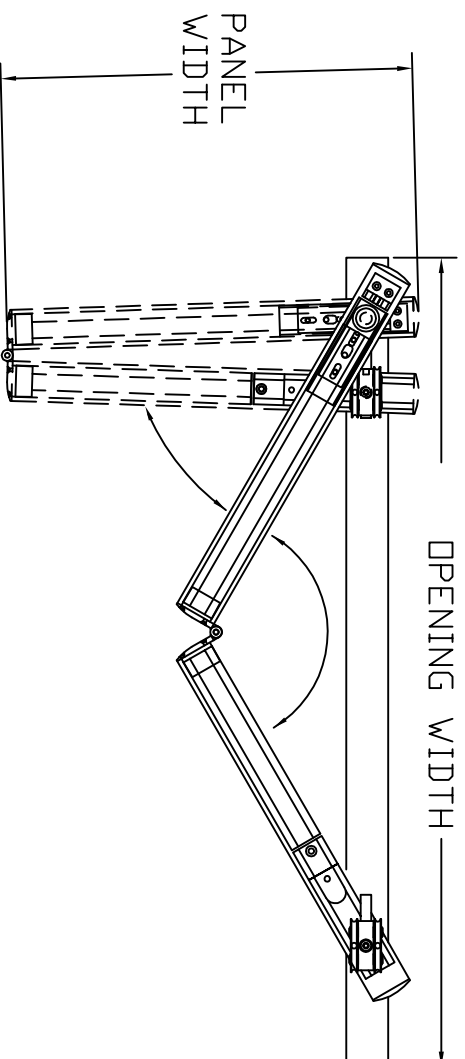


BI-FOLD GLASS FORMULA

OTB2 TWO PANEL BIFOLD



GLASS WIDTH

GLASS WIDTH =
OPENING WIDTH DIVIDED BY 2
LESS 3/16" (5mm)

NOTES: 1 GLASS HEIGHT

GLASS HEIGHT =
OPENING HEIGHT
LESS 8 1/4" (210mm)

2 GLASS WIDTH

MAX: 39" (990mm)
MIN: 15" (381mm)

3 GLASS WEIGHT

MAX: 170 lbs (77kg)